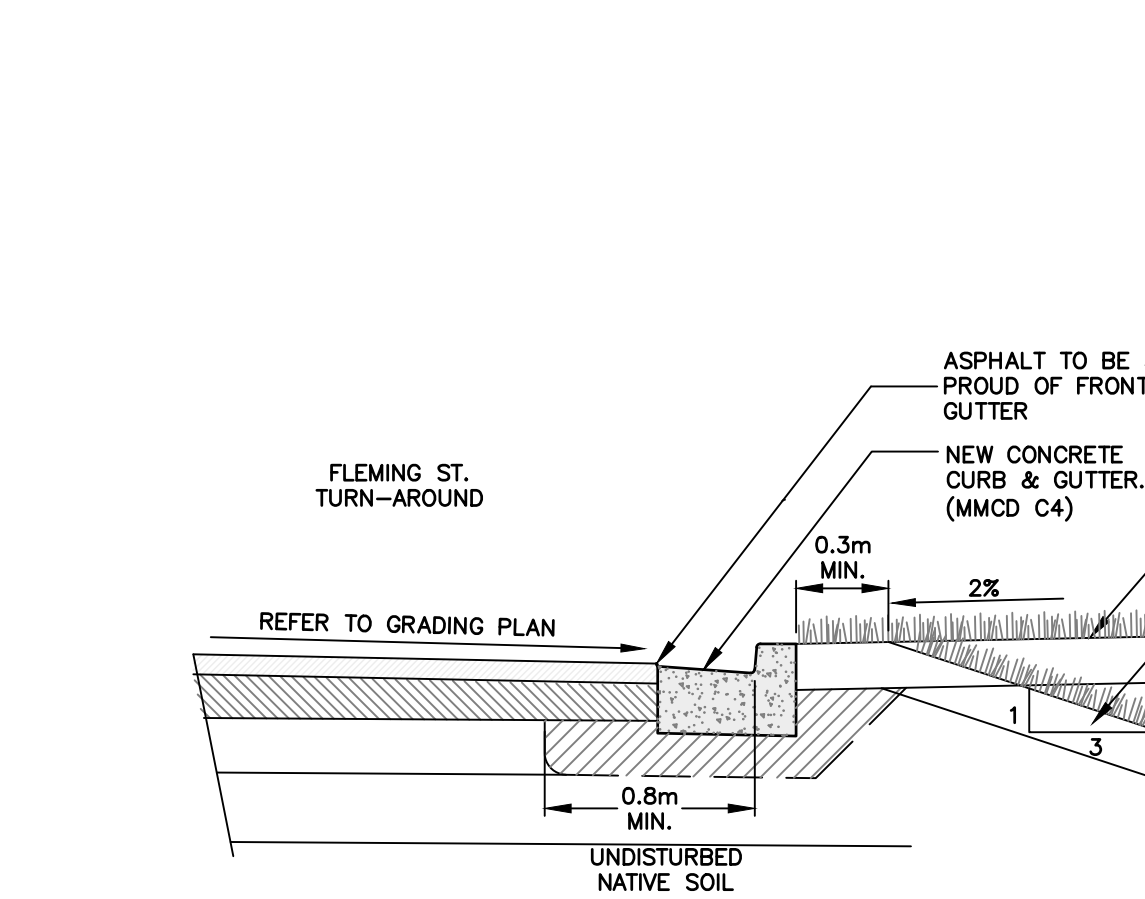
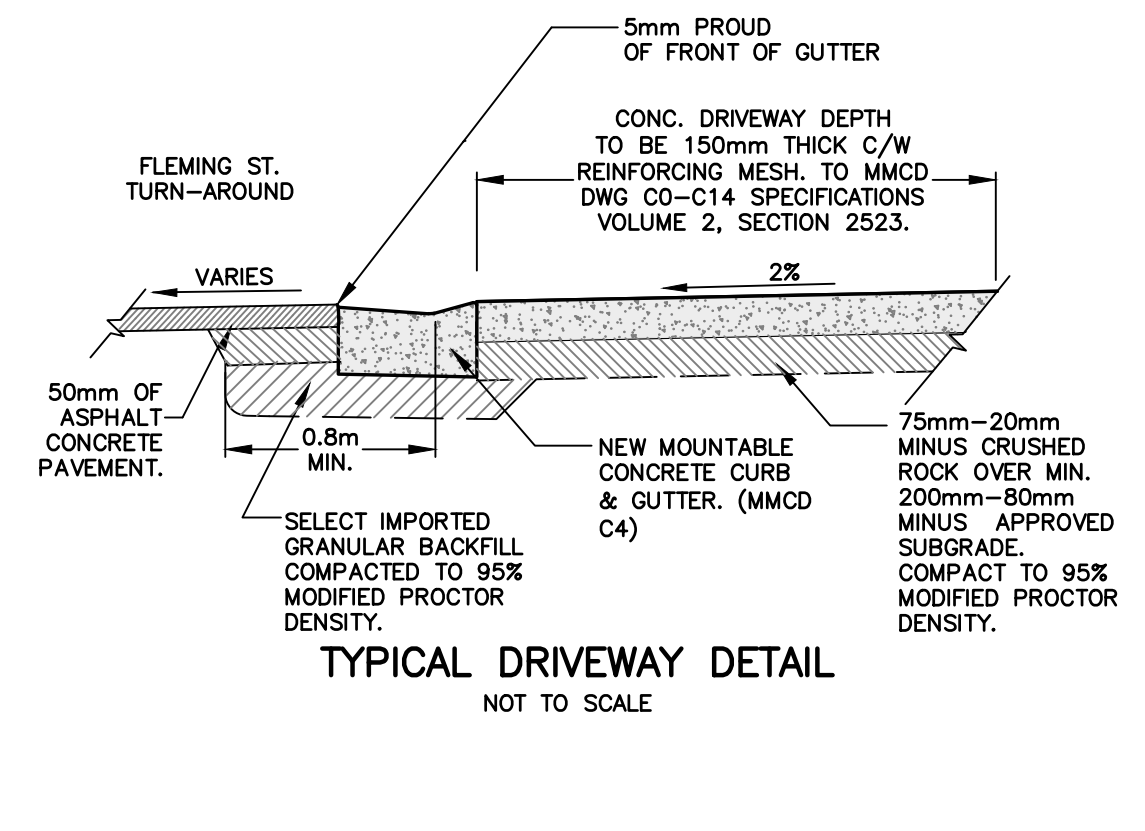


NOTES:

1. WALLS OVER 1.2m TO BE DESIGNED BY DEVELOPER'S GEOTECHNICAL ENGINEER.
2. CONCRETE & REINFORCEMENT TO MEET TOWNSHIP OF ESQUMALT RETAINING WALL STANDARD DETAIL AND MMCD SPECIFICATIONS.
3. EXTERIOR CONCRETE WALLS TO BE COATED WITH ANTI-GRAFFITI FINISH TO APPROVAL OF ESQUMALT.

TYPICAL SECTION AT PROPOSED CONCRETE RETAINING WALL (CONCEPT ONLY)  
SCALE 1:25



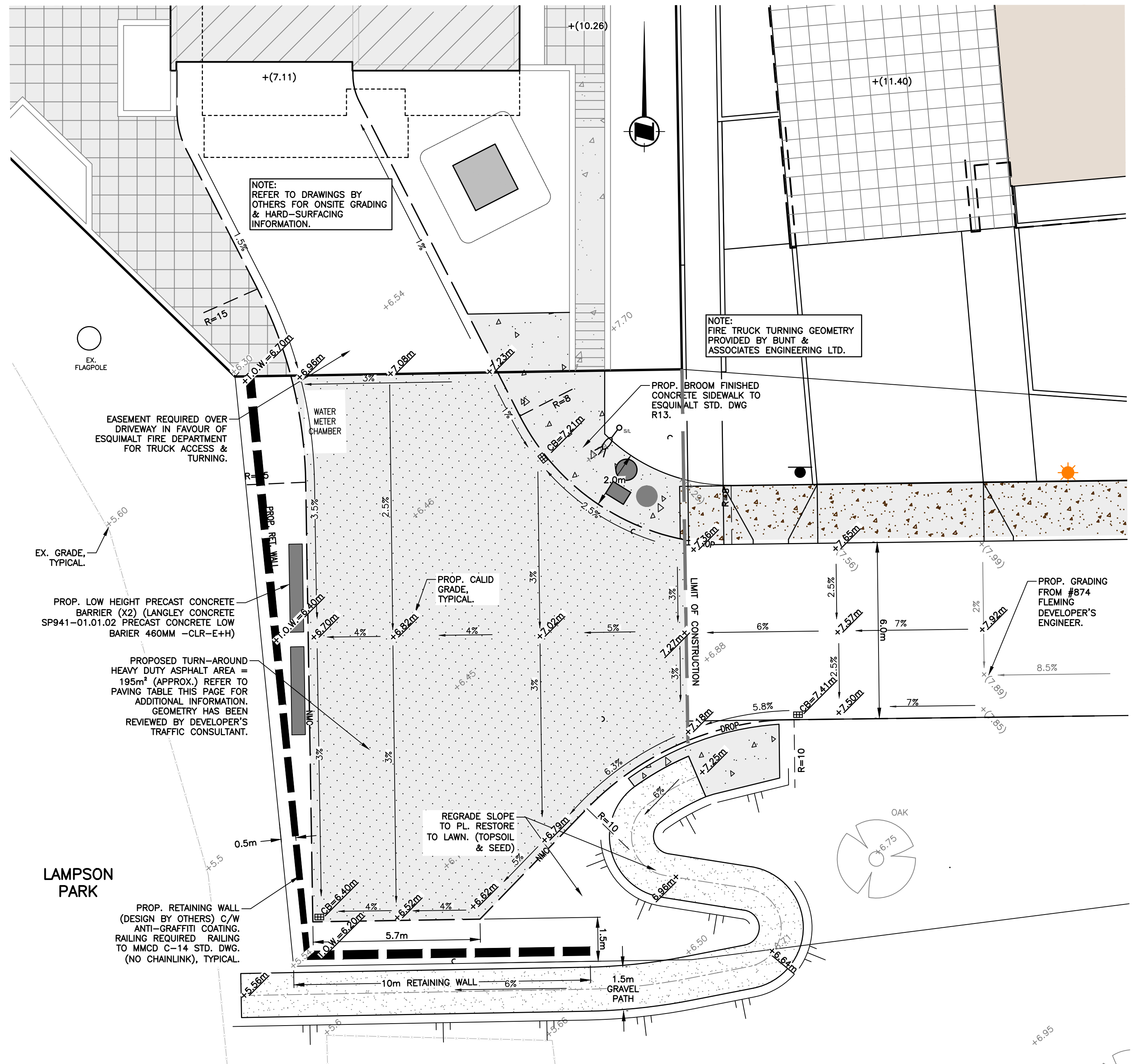
NOTE: REFER TO TABLE OF MIN. PAVEMENT STRUCTURE THIS PAGE FOR TOP COURSE & SUB-BASE GRAVEL INFORMATION.

**TABLE OF MINIMUM PAVEMENT STRUCTURE**

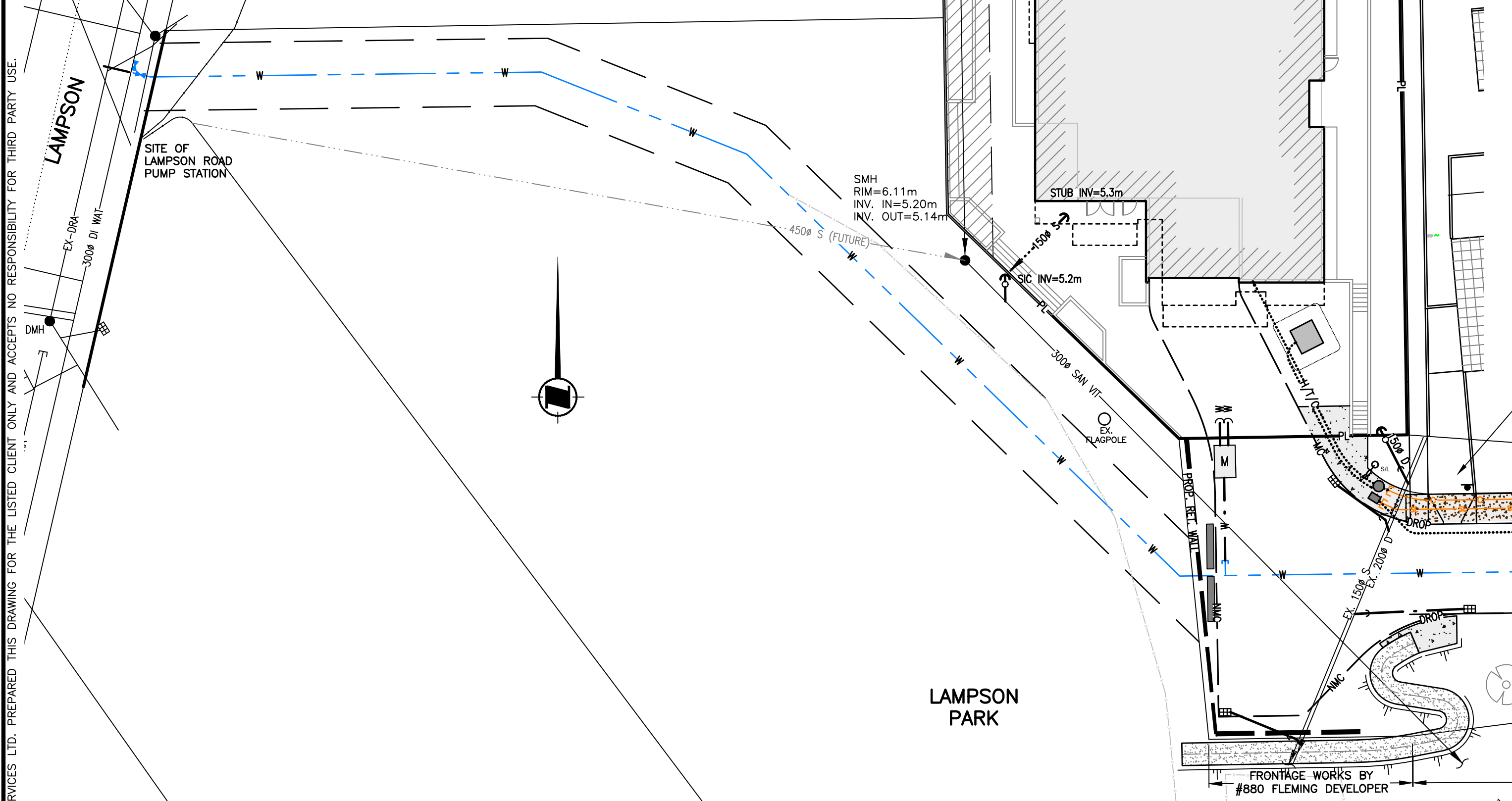
MATERIAL	HEAVY DUTY Travel Lanes (mm)
ASPHALT CONCRETE PAVEMENT	50
TOP COURSE GRAVEL (20mm MINUS)	75
SUB-BASE GRAVEL (80mm MINUS)	200

NOTES:

1. SUBGRADE SUB-EXCAVATION AND 80mm MINUS CRUSHED GRAVEL BACKFILL WILL BE REQUIRED.
2. REFER TO ESQUMALT STANDARD DRAWING R1 LOCAL ROAD FOR ADDITIONAL INFORMATION.
3. ASSUME 150 mm TOP COURSE GRAVEL AND 300 mm SUB-BASE GRAVEL FOR CONCRETE WALKWAYS, ENTRANCE PLAZA, ETC.



FRONTAGE IMPROVEMENTS & TURN-AROUND GRADING PLAN  
SCALE 1:100



FLEMING STREET ROADWAY EXTENSION PLAN  
SCALE 1:250

**PRELIMINARY**  
NOT FOR CONSTRUCTION

**B C 1**  
CALL  
1-800-474-6886  
CELLULAR #6886

THIS DESIGN IS VALID ONLY IF REVIEWED DURING CONSTRUCTION BY CALID SERVICES LTD.  
THE CONTRACTOR IS TO CALL B.C. ONE CALL, AND HAVE EXISTING U/G SERVICES STAKED PRIOR TO ANY CONSTRUCTION.

LEGEND	EXISTING	PROPOSED	EX. PROP.	EX. PROP.	EX. PROP.	EX. PROP.
WATER VALVE ON MAIN	— W —	— W —	◆	◇	⊗	⊗
HYDRANT	— S —	— S —	●	○	□	□
CAP OR PLUG	— D —	— D —	○	○	○	○
WATER METER	— G —	— G —	⊙	⊙	⊙	⊙
FLUSH VALVE	— H/T —	— H/T —	●	○	●	○
MANHOLE	— EOP —	— EOP —	■	□	○	○
CLEANOUT			—	—	—	—
SEWER PUMP STATION						
CATCH BASIN						
SILT TRAP						
CULVERT						
DITCH						
HYDRO/TEL POLE						
HYDRO ANCHOR						

REV.	DATE	REVISIONS	BY	APPROVED
1	OCT 19/21	DETAILED CIVIL DESIGN AND INSERTED #874 FLEMING STREET CIVIL PLANS	dp/gkc	

880 FLEMING STREET DEVELOPMENT  
Turn-Around Grading Plan & Misc. Details  
Client: 0958593 B.C. Ltd



207-2750 QUADRA ST.  
VICTORIA, B.C. V8T-4E8  
PHONE: (250) 388-8919  
FAX: (250) 381-6919  
engineer@calid.ca

Drawn	Date
gkcfp	December 17, 2020
Checked	Project # 768
Approved	Scale AS NOTED
Designed	gkc

768-02	1
--------	---

CANCEL PRINTS BEARING EARLIER LETTER